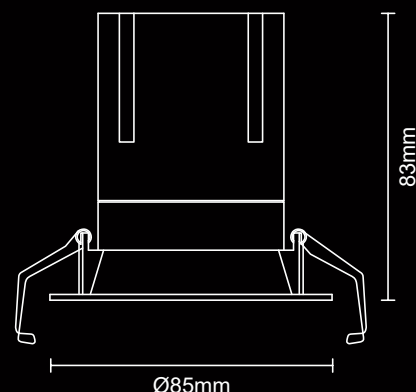



POWER M



Color	Black / White
Material	Aluminium + PC
Power	12W
Lumen	902lm
Beam Angle	38°
CRI	≥90
UGR	<19
CCT	3000k / 4000k
IP rate	IP44
Driver	Default On-Off
	Upon request DALI / 0-10V / zigbee
Sizes	Ø85*H83mm
Cut-out	Ø75mm
SDCM	<3
Mounting type	Recessed
Lamp type	LED COB
Input current	36V
LED	350mA 36V
Lifetime	50.000h
Blue light	RG1



	H(m)	D(cm)	E _{max} (lx)
12W	1	72	1999
3000K	2	143	500
902lm	3	215	222
	4	286	125
	5	358	80

INSTRUCTIONS MANUAL

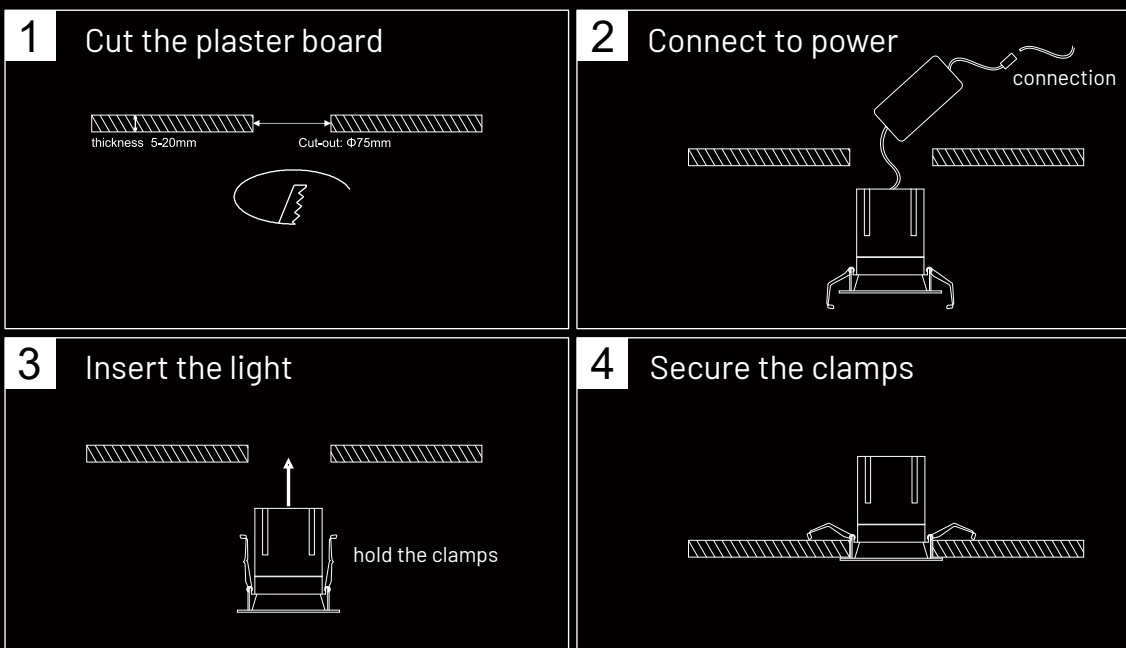
Thank you for selecting our product. To ensure safe and proper use, please carefully read the installation instructions before proceeding.

For installation, repair, or testing, we strongly recommend engaging a licensed professional electrician. Adhering to the provided guidelines is essential to prevent risks such as electrical shock, fire hazards, or accidental damage.

Important safety considerations:

- Do not install the lamp on ceilings that are weak or unstable.
- Avoid installation in areas with high heat, such as above stoves, near gas vents, exhaust outlets, or in spaces prone to moisture.

Your safety is our priority. Please follow the instructions diligently for optimal performance and peace of mind.



DECLARATION OF CONFORMITY

We, A.B. PROPERTY SERVICES SRL, hereby declare, that the item(s)

BRAND: Lyset

Model No.: LY-MTR-15-1B / LY-MTR-15-1W

to which this declaration related is in conformity with the following
European Council Standard(s):

Low Voltage Directive 2014/35/EU as tested against following
harmonized standards:

EN IEC 60598-1:2021/A11:2022

EN IEC 60598-2-1:2021

EN 62493:2015

Electromagnetic Compatibiltiy Directive 2014/30/EU as tested against following
harmonized standards:

EN IEC 55015:2019

EN IEC 55015:2019/A11:2020

EN 61547:2009

IEC 61000

RoHS Directive 2011/65/EU as tested against following harmonized standard:

EN 50581:2012

EcoDesign requirements for energy related products Directive (ErP), 2009/125/EC and
applicable Implementing Measures

2019/2020/EU

On behalf of A.B. PROPERTY SERVICES SRL

Alexandru Boangher

Managing Director

